

**Standardtype**

Ventil in Ruhestellung geschlossen - (NC). Bei erregtem Magnet baut sich die Druckdifferenz von der Sekundärseite des Kolben über die Servobohrung ab. Die wirksame Druckdifferenz hebt den Kolben vom Ventilsitz ab. Der angegebene Mindestdruck muss als Druckdifferenz für eine einwandfreie Funktion der Servosteuerung immer vorhanden sein.



**Standard type**

Valve normally closed - (NC). When energised, the pressure decomposes from the secondary side of the piston via the pilot hole. The pressure differential lifts the piston from the seat (orifice). The stated minimum pressure is always necessary as pressure differential for accurate operation.

|  |   |  |  |
|--|---|--|--|
| Steuerungsart:<br>Type of control:           | servogesteuert<br>pilot operated  | Metall. Innenteile:<br>Metallic internals: | Edelstahl 1.4104<br>Stainless steel 1.4104 (AISI 430F)   |
| Konstruktion:<br>Construction:               | Kolbenventil<br>Piston design   | Dichtung:<br>Seal:                         | Tecapeek<br>Tecapeek   |
| Anschluß:<br>Connection:                     | G1/8-G2 DIN ISO 228<br>G1/8-G2 DIN ISO 228  | Einbaulage:<br>Installation:               | beliebig, Magnet vorzugsweise stehend<br>actuator, in any position, upw. is recomm.  |
| Druck:<br>Pressure:                          | 1-450 bar (s. Tabelle)<br>1-450 bar (see table)   | Anschlußspannung:<br>Supply voltage:       | AC: 24,42,110,230V 50Hz bzw. 60Hz<br>DC: 24,110,205V=  |
| Durchflußmedium:<br>Medium:                  | neutrale, gasförmige u. flüssige Medien<br>neutral, gaseous and liquid medium   | Spannungstoleranz:<br>Voltage tolerance:   | +5% / -10%<br>+5% / -10%   |
| Viskosität:<br>Viscosity:                    | 22mm <sup>2</sup> /S<br>22mm <sup>2</sup> /S (centistokes)  | Leistungsaufnahme:<br>Power-consumption:   | .702/3702 = 25 Watt<br>.322/3332 = 30 Watt<br>.242/5242 = 46 Watt<br>.328/5328 = 23 Watt<br>.248/5248 = 30 Watt<br>.218/5218 = 7 Watt<br>.272/5272 = 100 Watt<br>.278/5278 = 47 Watt |
| Mediumtemperatur:<br>Medium temperature:     | -60°C bis +90°C<br>-60°C up to +90°C  | Schutzart:<br>Protection class:            | IP65 nach DIN 40050<br>IP65 acc. to DIN 40050  |
| Umgebungstemperatur:<br>Ambient temperature: | +35°C<br>+35°C  | Einschaltdauer:<br>Duty factor:            | 100% ED-VDE 0580<br>100% ED-VDE 0580   |
| Ventilgehäuse:<br>Body material:             | ../06../.. = Edelst. 1.4305/St. steel (AISI 303)<br>../08../.. = Edelst. 1.4571/St. steel (AISI 316Ti)<br>../09../.. = Edelst. 1.4104/St. Steel (AISI 430F) | Kabelanschluß:<br>Cable connection:        | Gerätestecker DIN 43650 / Klemmkasten<br>DIN 43650 - plug / terminal box   |

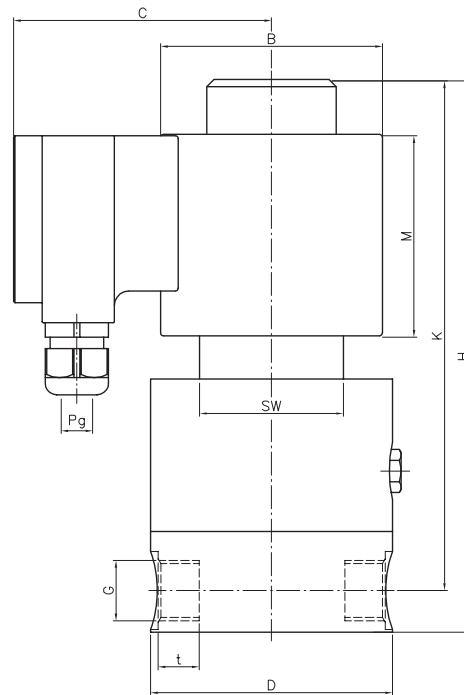
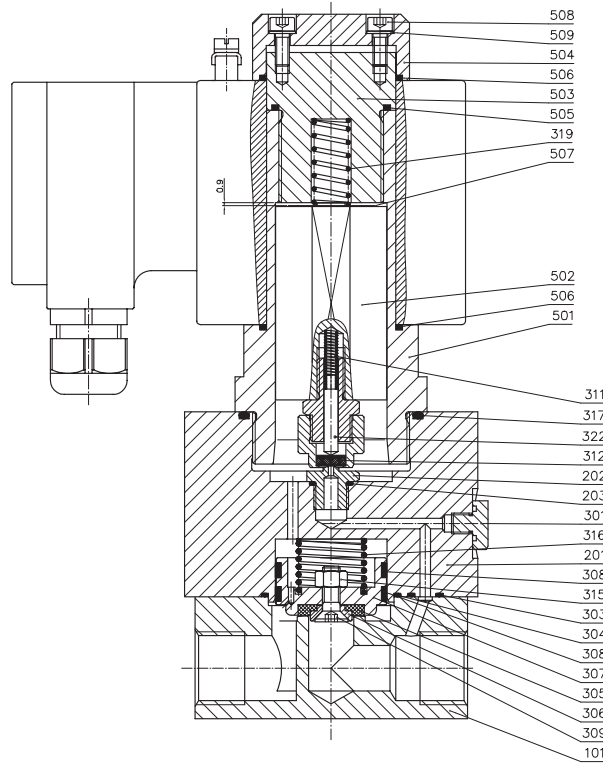
| G   | Sitz<br>Orifice<br>Ømm | Kv-Wert<br>Flow-rate<br>m <sup>3</sup> /h | Standardtype<br>Standard type | max. Druck bei Magnettype<br>max. pressure regarding solenoid type |       |                           |                         |        |                           |       |                           |
|-----|------------------------|---|-------------------------------|--|-------|---------------------------|-------------------------|--------|---------------------------|-------|---------------------------|
|     |                        |   |                               | .702   | .322  | ExII2GEEExemIIIT4<br>.328 | ExII2GEEExIICT4<br>.218 | .242   | ExII2GEEExemIIIT4<br>.248 | .272  | ExII2GEEExemIIIT4<br>.278 |
| 1/8 | 6                      | 0,75                                      | 2/529-37-..15-....            | 1-150  | 1-350 | 1-300                     | 1-250                   | -      | 1-350                     | -     | -                         |
| 1/4 | 6                      | 0,75                                      | 2/529-47-..15-....            | 1-150  | 1-350 | 1-300                     | 1-250                   | -      | 1-350                     | -     | -                         |
| 3/8 | 6                      | 0,75                                      | 2/529-57-..15-....            | 1-150  | 1-350 | 1-300                     | 1-250                   | -      | 1-350                     | -     | -                         |
| 1/2 | 6                      | 0,75                                      | 2/529-67-..15-....            | 1-150  | 1-350 | 1-300                     | 1-250                   | -      | 1-350                     | -     | -                         |
| 1/4 | 12                     | 1,8                                       | 2/529-21-..15-....            | 1-140  | 1-250 | 1-250                     | 1-250                   | 1-450  | 1-450                     | -     | -                         |
| 3/8 | 12                     | 3,3                                       | 2/529-22-..15-....            | 1-140  | 1-250 | 1-250                     | 1-250                   | 1-450  | 1-450                     | -     | -                         |
| 1/2 | 12                     | 3,8                                       | 2/529-23-..15-....            | 1-140  | 1-250 | 1-250                     | 1-250                   | 1-450  | 1-450                     | -     | -                         |
| 3/4 | 25                     | 11,5                                      | 2/529-24-..15-....            | -  | 1-220 | 1-220                     | -                       | 1-300  | 1-300                     | -     | -                         |
| 1   | 25                     | 13,0                                      | 2/529-25-..15-....            | -  | 1-220 | 1-220                     | -                       | 1-350  | 1-300                     | -     | -                         |
| 5/4 | 40                     | 22,0                                      | 2/529-26-..15-....            | -  | -     | -                         | -                       | 1-200* | 1-100                     | 1-200 | 1-150                     |
| 6/4 | 40                     | 24,0                                      | 2/529-27-..15-....            | -  | -     | -                         | -                       | 1-200* | 1-100                     | 1-200 | 1-150                     |
| 2   | 50                     | 32,0                                      | 2/529-28-..15-....            | -  | -     | -                         | -                       | 1-200* | 1-100                     | 1-200 | 1-150                     |

\* = mit PTFE/with PTFE max. 150 bar

Stückliste - Parts list

Baureihe 2/529 / Type 2/529

- K101 Armatur / Valve body
- K201 Deckel / Bonnet
- K202 Vorsteuersitz / Pilot seat
- \*K203 O-Ring / O-ring
- K301 Verschraubung / Screw joint
- \*K303 O-Ring / O-ring
- \*K304 O-Ring / O-ring
- \*K305 Dichtung / Sealing
- \*K306 Scheibe / Disk
- \*K307 Kolben / Piston
- \*K308 Kolbenführungsband / Piston guide band
- \*K309 Senkschraube / Screw
- \*K310 Vorsteuerspindel / Pilot spindle
- \*K311 Feder / Spring
- \*K312 Dichtung / Sealing
- \*K313 Spindelkopf / Spindle head
- \*K315 Mutter / Nut
- \*K316 Feder / Spring
- \*K317 O-Ring / O-ring
- \*K319 Feder / Spring
- \*K322 Stift / Pin
- K501 Magnethülse / Solenoid tube
- K502 Magnetanker / Plunger
- K503 Gegenkern / Tube head
- K504 Druckstück / Pressure piece
- K505 O-Ring / O-ring
- K506 O-Ring / O-ring
- K507 Scheibe / Disk
- K508 Zylinderschraube / Screw
- K509 Federring / Spring ring
- K601 Magnet / Solenoid



\* = Bestandteil des Ersatzteilpäckchens  
(je nach Ausführung freibleibend)  
\* = Part of the service set (These specifications are without obligation).

| Magnet   | .242    |         | .322/.328 |         | .242/.248 |         |       |         | .272/.278 |       |
|----------|---------|---------|-----------|---------|-----------|---------|-------|---------|-----------|-------|
| Solenoid | .242    |         | .322/.328 |         | .242/.248 |         |       |         | .272/.278 |       |
| Type     | ..21-24 | ..23-23 | ..24-25   | ..21-23 | ..24-25   | ..26-27 | ..28  | ..23-25 | ..26-27   | ..28  |
| G        | 1/4-1/2 | 1/4-1/2 | 3/4-1     | 1/4-1/2 | 3/4-1     | 5/4-2   | 5/4-2 | 5/4-6/4 | 5/4-2     | 5/4-2 |
| B        | 35x35   | Ø77     | Ø105      | Ø77     | Ø77       | Ø77     | Ø77   | Ø77     | Ø77       | Ø77   |
| C        | 67      | 82      | 105,5     | 82      | 90        | 90      | 90    | 90      | 90        | 90    |
| H        | 155     | 200     | 195       | 200     | 262       | 262     | 273   | 262     | 262       | 273   |
| K        | 140     | 185     | 170       | 185     | 235       | 229     | 236   | 235     | 229       | 236   |
| D        | 84      | 84      | 96        | 84      | 110       | 155     | 170   | 110     | 155       | 170   |
| M        | 50      | 70      | 90        | 70      | 70        | 70      | 70    | 70      | 70        | 70    |
| SW       | 30      | 50      | 65        | 50      | 55        | 55      | 55    | 55      | 55        | 55    |
| t        | 12      | 12      | 15        | 12      | 15        | 22      | 22    | 22      | 22        | 22    |
| Pg       | 11      | 13,5    | 13,5      | 13,5    | 13,5      | 13,5    | 13,5  | 13,5    | 13,5      | 13,5  |



GSR Ventiltechnik GmbH & Co. KG  
 Postfach 2060 • D-32595 Vlotho • Im Meisenfeld 1 • D-32602 Vlotho  
 Telefon (05228) 779-0 • Telefax (05228) 779-190  
 E-mail: info@ventiltechnik.de http://www.ventiltechnik.de